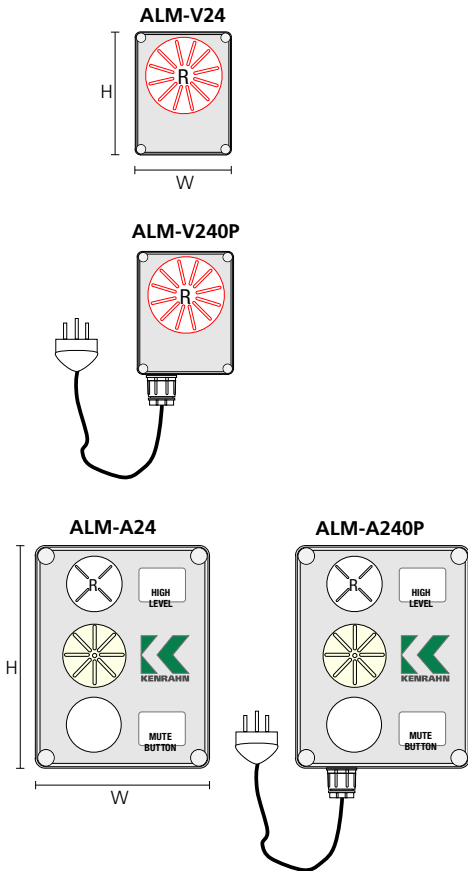


Kenrahn "ALM" Alarm Modules, designed for use with "TPS" Twin Pump Starters, can be used as stand alone alarm annunciator panels for visual and or audible indication of alarm conditions such as, High or low level, Low pressure, Overload or any fault which may require remote indication.



Kenrahn "ALM" Alarm Modules, can be used as a stand alone alarm or a pump can be connected to the terminals provided on the 240V Models.

Standard Models

ALM Visual Alarm Strobe

MODEL	Volts	PRICE	H x W x D **	REMARKS
ALM-V12	12 dc	98.00	153 x 110 x 116	12V dc control
ALM-V24	24 ac	98.00	153 x 110 x 116	24V ac control
ALM-V240	240 ac	178.00	153 x 110 x 116	240V supply, 24V on level switch
ALM-V240P	240 ac	188.00	153 x 110 x 116	With 240V Plug and Lead, 24V on level switch

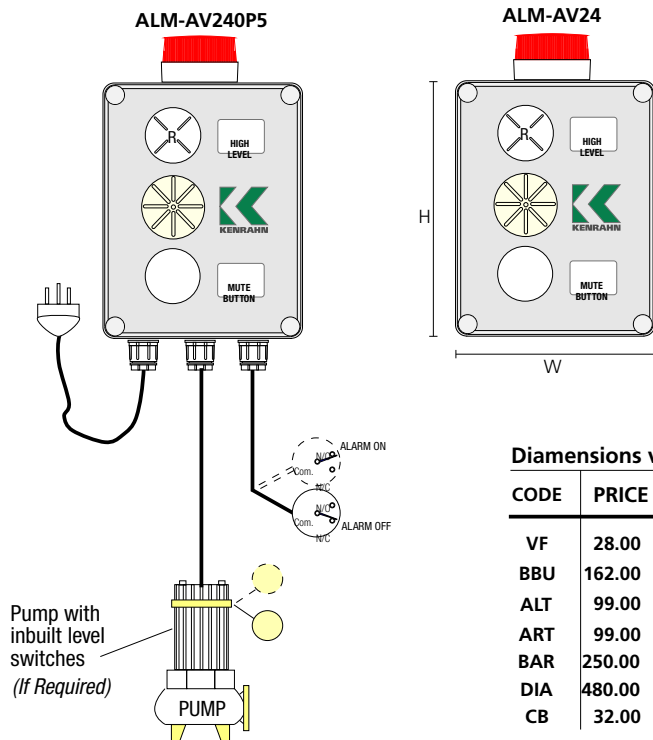
ALM Audible Alarm with Mute

MODEL	Volts	PRICE	H x W x D **	REMARKS
ALM-A12	12 dc	136.00	153 x 190 x 95	12V dc control
ALM-A24	24 ac	136.00	153 x 190 x 95	24V ac control
ALM-A240	240 ac	178.00	153 x 190 x 95	240V supply, 24V on level switch
ALM-A240P	240 ac	188.00	153 x 190 x 95	240V Plug and Lead, 24V on level switch
ALM-A240P5	240 ac	220.00	153 x 190 x 95	240V Plug and Lead, 5 metre level switch
ALM-A240P10	240 ac	236.00	153 x 190 x 95	240V Plug and Lead, 10 metre level switch
ALM-A240P15	240 ac	244.00	153 x 190 x 95	240V Plug and Lead, 15 metre level switch
ALM-A240P20	240 ac	256.00	153 x 190 x 95	240V Plug and Lead, 20 metre level switch

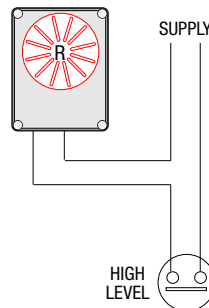
ALM Audible Alarm with Mute and Visual Alarm Strobe on Top

MODEL	Volts	PRICE	H x W x D **	REMARKS
ALM-AV12	12 dc	226.00	230 x 180 x 120	12V dc control
ALM-AV24	24 ac	226.00	230 x 180 x 120	24V ac control
ALM-AV240	240 ac	268.00	230 x 180 x 120	240V supply, 24V on level switch
ALM-AV240P	240 ac	278.00	230 x 180 x 120	240V Plug and Lead, 24V on level switch
ALM-AV240P5	240 ac	310.00	230 x 180 x 120	240V Plug and Lead, 5 metre level switch
ALM-AV240P10	240 ac	326.00	230 x 180 x 120	240V Plug and Lead, 10 metre level switch
ALM-AV240P15	240 ac	334.00	230 x 180 x 120	240V Plug and Lead, 15 metre level switch
ALM-AV240P20	240 ac	346.00	230 x 180 x 120	240V Plug and Lead, 20 metre level switch

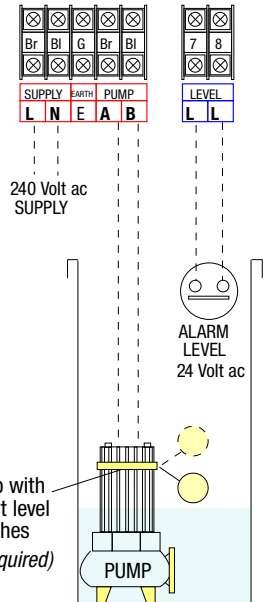
** Enclosure Dimensions are indicative only and refer to products without additional Options



STANDARD CONNECTION



CONNECTION "240V" MODELS



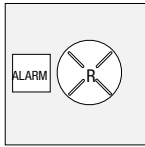
Dimensions vary when options are added

CODE	PRICE	OPTION
VF	28.00	Volt free contact for Monitoring System
BBU	162.00	Battery back up with trickle charger
ALT	99.00	Alarm limit timer
ART	99.00	Alarm Reset Timer
BAR	250.00	Intrinsically safe barrier
DIA	480.00	Phone Dialer, needs phone line
CB	32.00	Circuit breaker for pump circuit

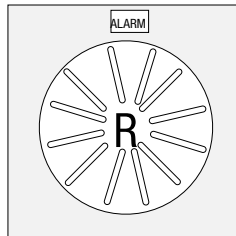
Kenrahn "ALM" Alarm Modules, designed for use with "TPS" Twin Pump Starters, can be used as stand alone alarm annunciator panels for visual and or audible indication of alarm conditions such as, High or low level, Low pressure, Overload or any fault which may require remote indication.

Many models are available on request with special features to operate pumps as well as indicate faults.

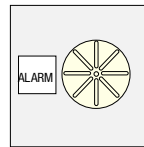
Standard Models



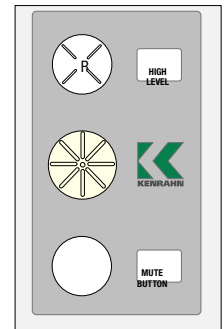
ALM-I
Red indicator light available for 24V or 240V control circuits.



ALM-S
Red flashing strobe indicator light available for 24V or 240V control circuits.



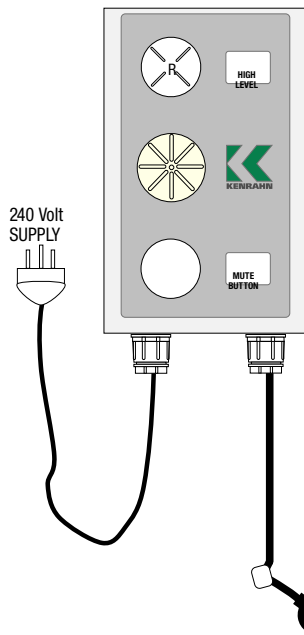
ALM-A
Audible Alarm available for 24V or 240V control circuits.



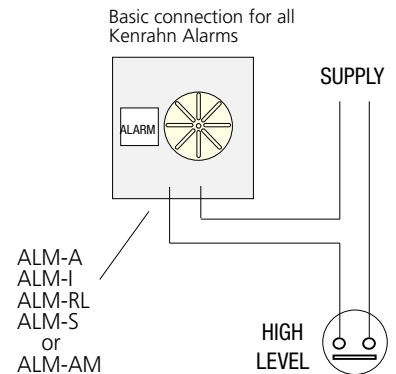
ALM-AM
Audible Alarm with mute button to silence and an indicator to register alarm is muted. Available for 24V or 240V control circuits.



ALM-RL
Red Rotating Light on top of enclosure for 24V or 240V control circuits.



ALM-AM-PCR5
Audible Alarm with mute button to silence and an indicator to register alarm is muted. With 240V lead to plug into power outlet and fitted with CR5 level regulator for ELV (Extra Low Voltage) high level alarm



Standard Models

MODEL	Volts	PRICE	REMARKS
ALM-I24	24 ac	47.00	Indicator 24 Volt ac control
ALM-I240	240 ac	51.00	Indicator 240 Volt ac control
ALM-S24	24 ac	88.00	Flashing Strobe 24 Volt ac control
ALM-S240	240 ac	88.00	Flashing Strobe 240 Volt ac control
ALM-A24	24 ac	88.00	Audible Alarm 24 Volt ac control
ALM-A240	240 ac	88.00	Audible Alarm 240 Volt ac control
ALM-AM24	24 ac	156.00	Audible Alarm with mute button
ALM-AM240	240 ac	156.00	Audible Alarm with mute button
ALM-AM-P	240 ac	212.00	Audible Alarm/mute with 240V plug & lead
ALM-AM-PCR5	240 ac	268.00	As above with CR5 for high level alarm
ALM-AM-PCR10	240 ac	268.00	As above with CR10 for high level alarm
ALM-AM-PCR15	240 ac	268.00	As above with CR15 for high level alarm
ALM-AM-PCR20	240 ac	279.00	As above with CR20 for high level alarm

TYPICAL CONNECTION DIAGRAM "P" MODELS

